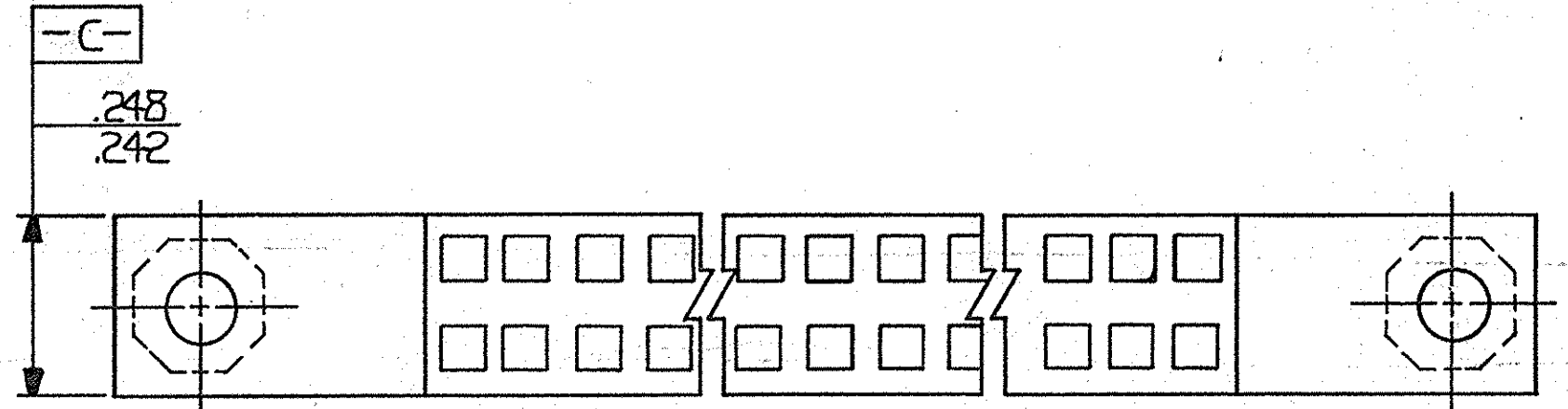
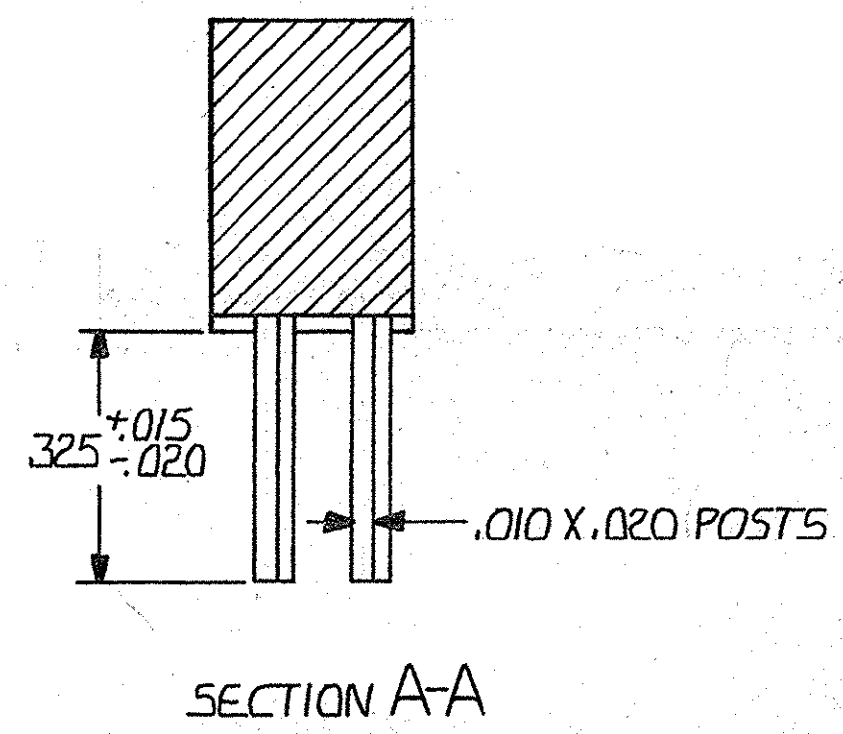
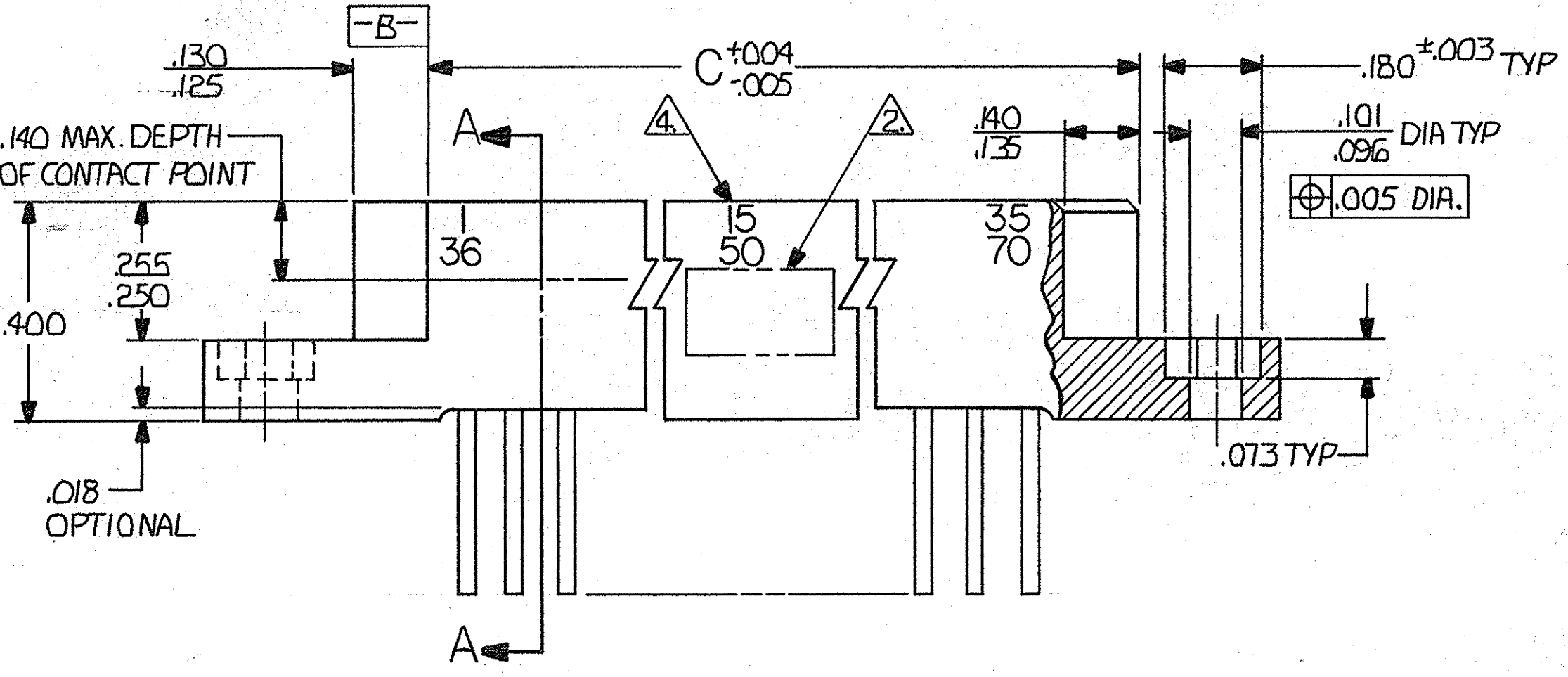
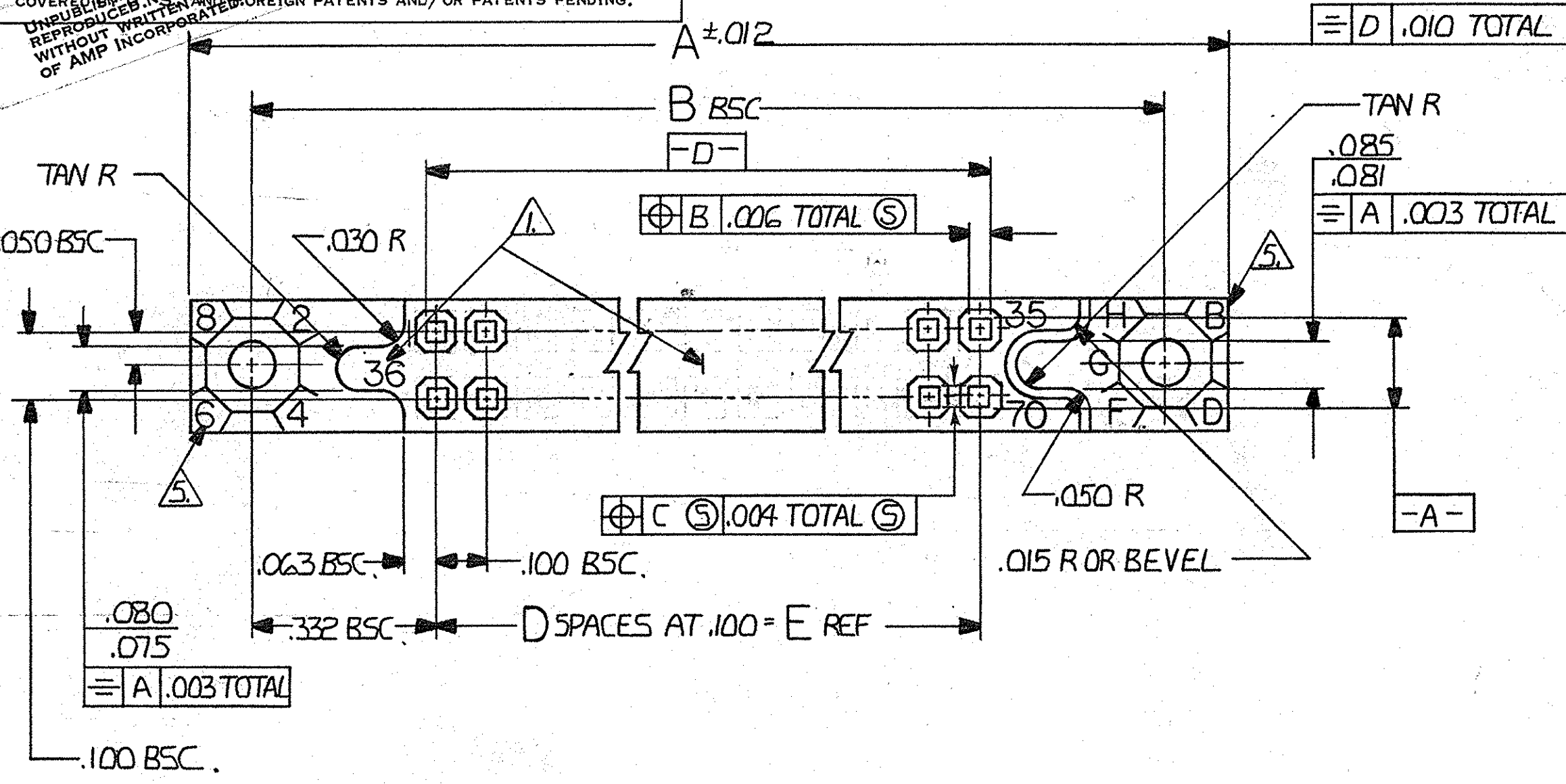


© COPYRIGHT 1977 BY AMP INCORPORATED, HARRISBURG, PA. ALL INTERNATIONAL RIGHTS RESERVED. AMP INCORPORATED PRODUCTS COVERED BY U.S. PATENTS AND FOREIGN PATENTS AND/OR PATENTS PENDING. UNREPRODUCED BY ANY MEANS WITHOUT WRITTEN PERMISSION OF AMP INCORPORATED.

| REVISIONS | | | | | |
|-----------|---|------|-----|------------------------------|---------------|
| P | F | ZONE | LTR | DESCRIPTION | DATE APPROVED |
| | | | 01 | REVISED 5061 M.S. | 2-2-77 |
| | | | 02 | ADDED 4 P/N SHT. 2 6150 M.S. | 7-25-79 R9 |
| | | | 03 | MIL. P/N'S ASSIGNED | 4-80 DLK 110 |
| | | | 04 | REVISED PER ECN 8248 | 12-82 DJM |
| | | | A | REV. PER ECN AB-0535 | 01-02-85 JEA |
| | | | B | REV PER DF-2240 | 10-4-84 JSH |
| | | | C | REV PER 0600-5859-96 | 4-98 JPL |
| | | | D | REV PER ECO-05-013278 | 11-05 PY |



| | | | | | |
|--|--|---|--|---|--|
| UNLESS OTHERWISE SPECIFIED DIMENSIONS ARE IN INCHES. TOLERANCES ON: DECIMALS ±.005 ANGLES 1/8 | | CONTRACT NO DR Robert Wolcott 11-12-76 CHK R. Williams 11-23-76 APPD R. Williams 11-23-76 APPD D. Co. Myers 11-29-76 DSGN APPD OTHER APPD | | PART NO | |
| MATERIAL | | AMP INCORPORATED Harrisburg, Pa. | | NAME BOX CONNECTOR RECEPTACLE ASSY .100 GRID EXTERNAL KEYING | |
| FINISH | | SIZE CODE IDENT NO DRAWING NO C 00779 530776 | | SHEET 1 OF 2 | |
| | | SCALE 4-1 | | | |

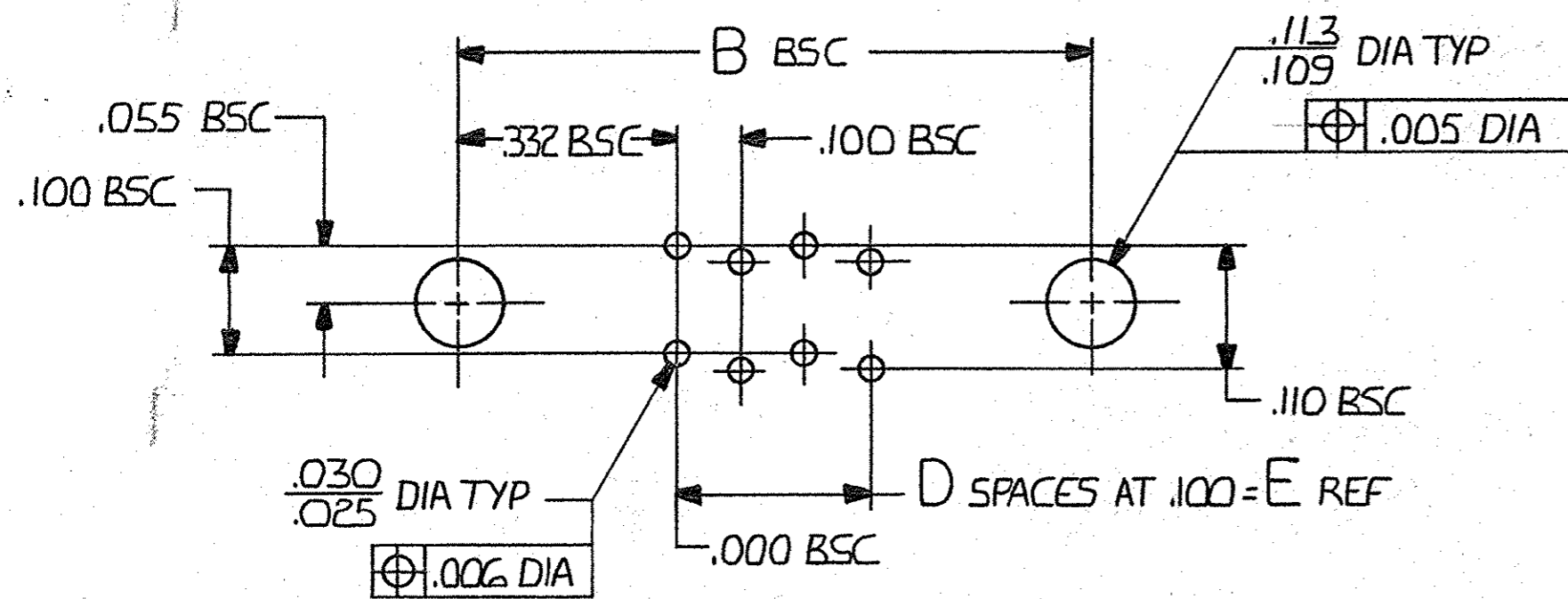
530776

© COPYRIGHT 1976 BY AMP INCORPORATED, HARRISBURG, PA.
ALL INTERNATIONAL RIGHTS RESERVED. AMP INCORPORATED PRODUCTS
COVERED BY U.S. PATENTS AND/OR PATENTS PENDING.

UNPUBLISHED OR REPRODUCED
WITHOUT WRITTEN PERMISSION
OF AMP INCORPORATED.

| REVISIONS | | | | | | |
|-----------|---|------|-----|--------------------|------|----------|
| P | F | ZONE | LTR | DESCRIPTION | DATE | APPROVED |
| ✓ | ✓ | D | | (SEE SHEET 1 OF 2) | | |

1. NUMBERS AND LINES INDICATING EVERY FIVE CAVITIES MOLDED OR MARKED ON MATING FACE.
2. AMP PART NUMBER DATE CODE, 00779 & MILITARY PART NUMBER MOLDED OR MARKED THIS AREA. SIDE OPTIONAL
3. MUST MEET ALL APPLICABLE REQUIREMENTS OF MIL-C-55302.
4. NUMBERS INDICATING EVERY FIVE CAVITIES MOLDED OR MARKED ON SIDE.
5. KEY POSITION IDENTIFICATION MOLDED ON SURFACES SHOWN.
6. USE EXTERNAL KEY NUMBER 530341-1 MATES WITH PART NUMBER 530339.
7. HOUSING MATERIAL: DIALYL PHTHALATE COLOR: BLUE PER MIL-M-14 TYPE 50G-F.
8. CONTACT MATERIAL: BERYLLIUM COPPER OR COPPER-NICKEL-SILICONE
FINISH: .000050 GOLD OVER NICKEL, TIN-LEAD ON TAILS



RECOMMENDED PRINTED CIRCUIT BOARD LAYOUT
(CONNECTOR SIDE)

| | | | | | | | | | |
|----------------|---------------------------|-------------------|-------|----|-------|-------|-------|----------------|------------|
| M55302/27-201 | 71 | 140 ⁷⁰ | 6.900 | 69 | 7.165 | 7.565 | 7.855 | 140 | 1-530776-3 |
| M55302/27-200 | 68 | 134 ⁶⁷ | 6.600 | 66 | 6.865 | 7.265 | 7.555 | 134 | 1-530776-2 |
| M55302/27-199 | 66 | 130 ⁶⁵ | 6.400 | 64 | 6.665 | 7.065 | 7.355 | 130 | 1-530776-1 |
| M55302/27-198 | 61 | 120 ⁶⁰ | 5.900 | 59 | 6.165 | 6.565 | 6.855 | 120 | 1-530776-0 |
| M 55302/27-117 | 56 | 110 ⁵⁵ | 5.400 | 54 | 5.665 | 6.065 | 6.355 | 110 | 530776-9 |
| M 55302/27-116 | 51 | 100 ⁵⁰ | 4.900 | 49 | 5.165 | 5.565 | 5.855 | 100 | 530776-8 |
| M 55302/27-115 | 46 | 90 ⁴⁵ | 4.400 | 44 | 4.665 | 5.065 | 5.355 | 90 | 530776-7 |
| M 55302/27-114 | 41 | 80 ⁴⁰ | 3.900 | 39 | 4.165 | 4.565 | 4.855 | 80 | 530776-6 |
| M 55302/27-113 | 36 | 70 ³⁵ | 3.400 | 34 | 3.665 | 4.065 | 4.355 | 70 | 530776-5 |
| M 55302/27-112 | 31 | 60 ³⁰ | 2.900 | 29 | 3.165 | 3.565 | 3.855 | 60 | 530776-4 |
| M 55302/27-111 | 26 | 50 ²⁵ | 2.400 | 24 | 2.665 | 3.065 | 3.355 | 50 | 530776-3 |
| M 55302/27-110 | 21 | 40 ²⁰ | 1.900 | 19 | 2.165 | 2.565 | 2.855 | 40 | 530776-2 |
| M 55302/27-109 | 16 | 30 ¹⁵ | 1.400 | 14 | 1.665 | 2.065 | 2.355 | 30 | 530776-1 |
| M 55302 | | | | | | | | | |
| PART NUMBER | CONTACT IDENTIFICATION NO | | E | D | C | B | A | NO OF CONTACTS | PART NO |

| | | |
|--|---------------------------|--|
| UNLESS OTHERWISE SPECIFIED DIMENSIONS ARE IN INCHES. TOLERANCES ON: DECIMALS ±.005 ANGLES ±.005 | CONTRACT NO | AMP INCORPORATED Harrisburg, Pa. |
| | DR Robert Walter 11-12-76 | |
| MATERIAL | CHK R. Williams 11-23-76 | NAME BOX CONNECTOR RECEPTACLE ASSY .100 GRID EXTERNAL KEYING |
| | APPD R. Williams 11-23-76 | |
| FINISH | APPD R. Myers 11-29-76 | SIZE CODE IDENT NO DRAWING NO C 00779 530776 |
| | DSGN APPD | |
| OTHER APPD | SCALE 4-1 | SHEET 2 OF 2 |

530776